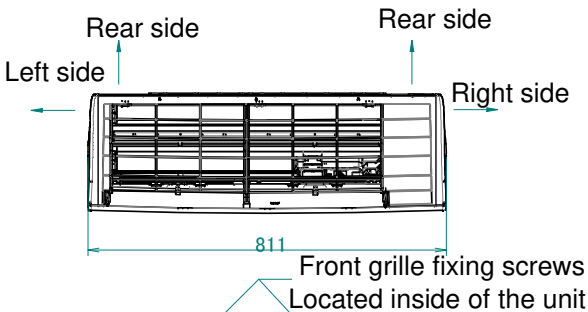
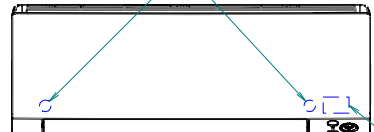


CTXM15N FTXM20-35N

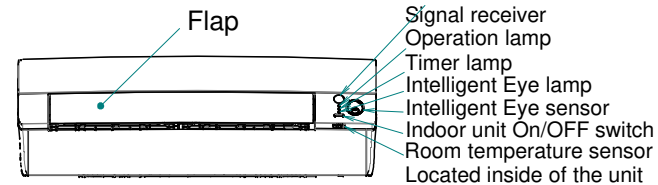


Front grille fixing screws
Located inside of the unit



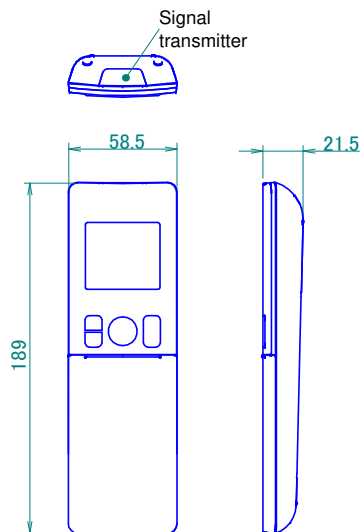
Nameplate
Located inside of the unit

Bottom side
Bottom side



Wireless remote control

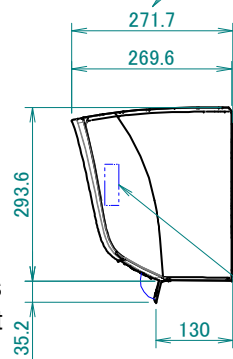
(ARC466A33)



Notes

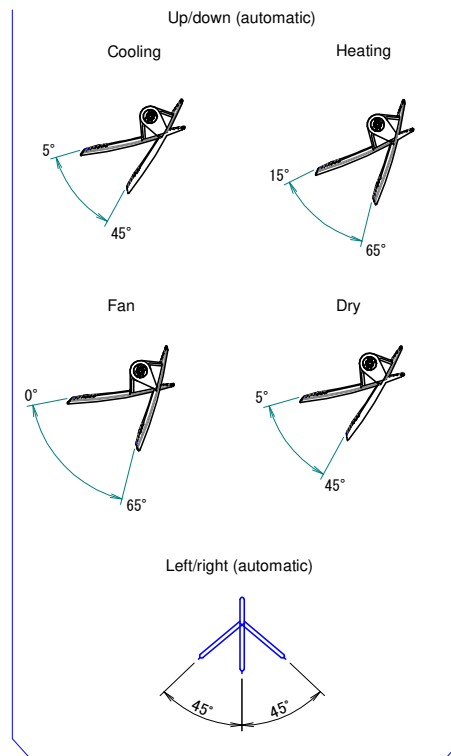
1. The mark shows the piping direction.

Including mounting plate

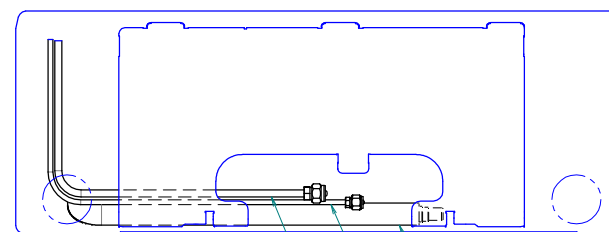
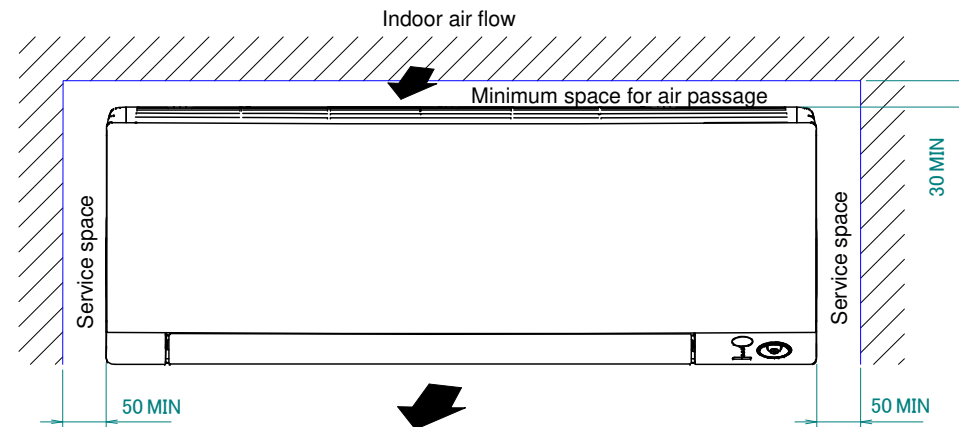


Terminal block with earth terminal
Located inside of the unit

Blade angle



Required space for service and ventilation

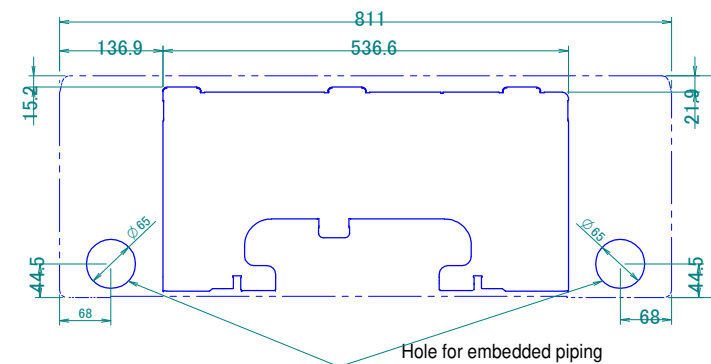


Drain hose
Inside diameter: ·14-mm
Outside diameter: ·16-mm
Connecting part
The length of the connection hose outside the unit is ·470-mm.

Liquid pipe
· \varnothing 6.4mm· CuT
The length of the pipe outside the unit is ·410-mm.

Gas pipe
· \varnothing 9.5mm· CuT
The length of the pipe outside the unit is ·360-mm.

Standard location of holes in the wall



2D100063B